

We've made changes to InvisiMount to make your Equinox™ installation easier and faster than ever.

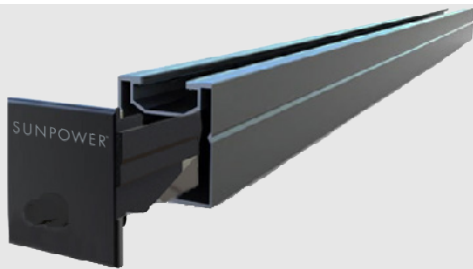
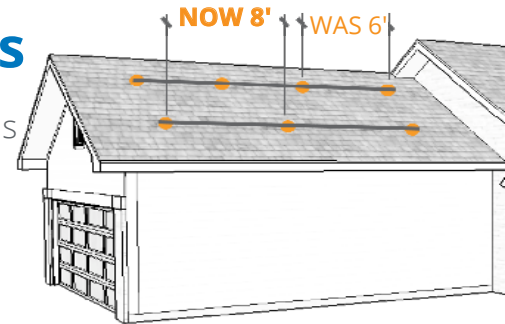


## 1 New Kits based on Your Feedback

- Bulk options for clips
- Optimized 2, 10, and 180 kW kits for AC and for DC systems
- Accessory starter kits get you ready for virtually any layout

## 2 Longer Spans between Attachments

- Use our new span tables to easily determine your attachment spans
- 25% fewer roof attachments
- 33% faster flashing installation



## 3 New End Clamp

- Installs faster than previous design
- Easily verify proper engagement
- Premium aesthetic

## 4 Row-to-Row Spacer

- Snaps into frame, remains in place
- Quicker next-row installation and alignment
- Uniform module spacing for improved aesthetic and thermal performance

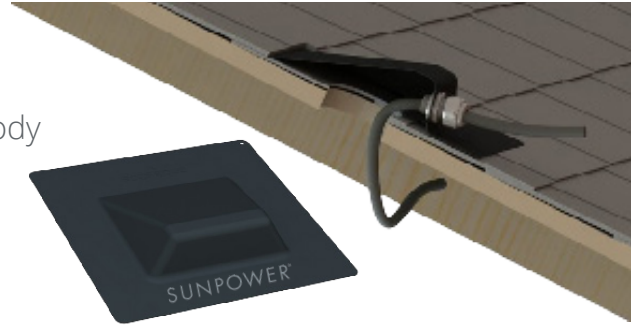


We've made changes to InvisiMount to make your Equinox™ installation easier and faster than ever.

5

## Rooftop Transition Flashing

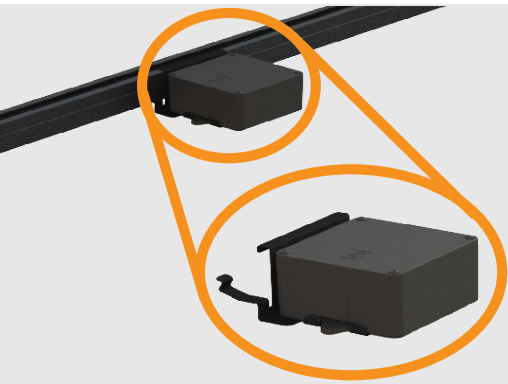
- Lower profile than traditional flashing and conduit body
- Far less expensive than a SolaDeck™ enclosure
- Simple to install, no special tools or training
- Pair with J-box mounted on rail or in attic
- Fits easily under the array



6

## Rail-Mounted J-Box

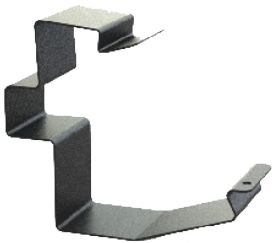
- Snaps onto InvisiMount rail
- Compatible with AC cables and EMT and PVC conduit
- Includes cable glands and integrated bracket



7

## Rail Clip

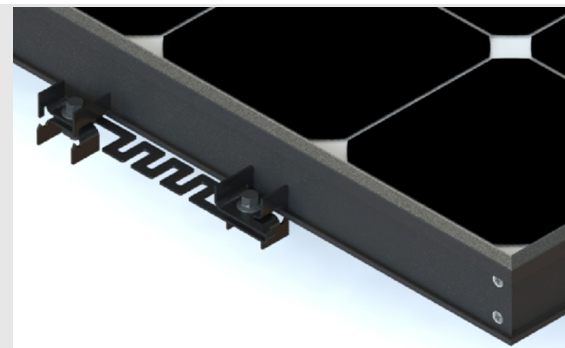
- Snaps onto InvisiMount rail
- Ensures long-term wire management integrity
- AC and DC versions available



8

## Row-to-Row Grounding Clip for DC Systems

- Easy attachment reduces ground lug and copper wire use
- Single-tool installation
- Enforces consistent module spacing



sunpower.com  
524792 RevA